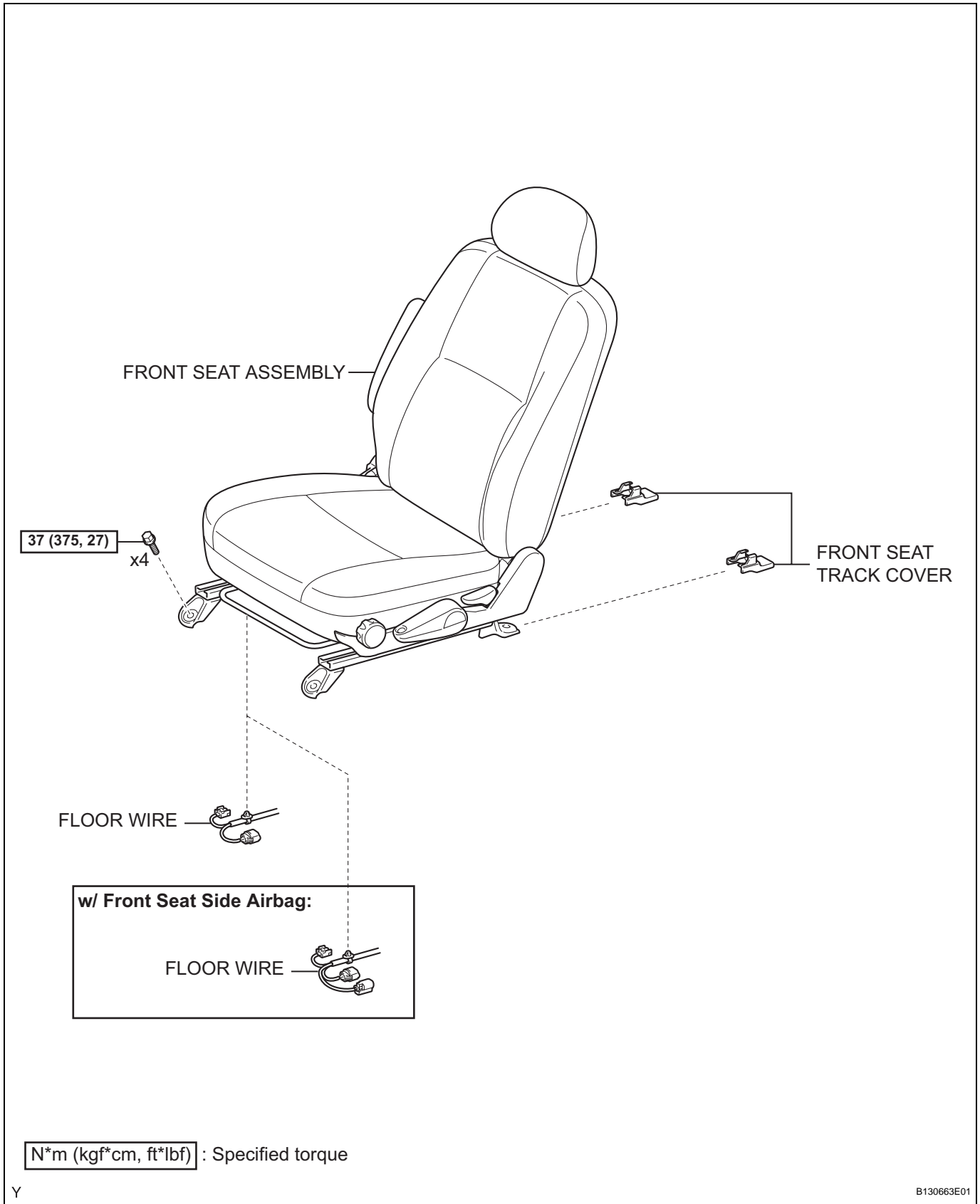


# FRONT SEAT ASSEMBLY

## COMPONENTS



SE

for Front Passenger Side:



42 (430, 31)

FRONT SEAT INNER BELT ASSEMBLY

FRONT SEAT CUSHION INNER SHIELD

FRONT SEAT CUSHION OUTER SHIELD

RECLINING ADJUSTER RELEASE HANDLE

for Driver Side:

VERTICAL SEAT ADJUSTER KNOB

VERTICAL SEAT ADJUSTER HANDLE

x2



VERTICAL SEAT ADJUSTER HANDLE COVER

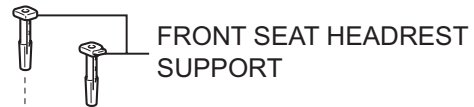
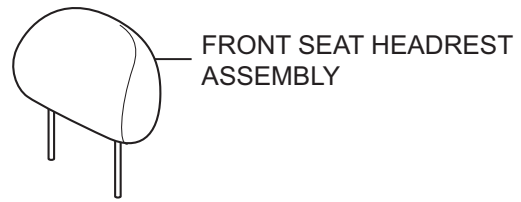
N\*m (kgf\*cm, ft\*lb) : Specified torque

**for Front Passenger Side:**

FRONT SEAT  
ARMREST COVER 

**for Driver Side:**

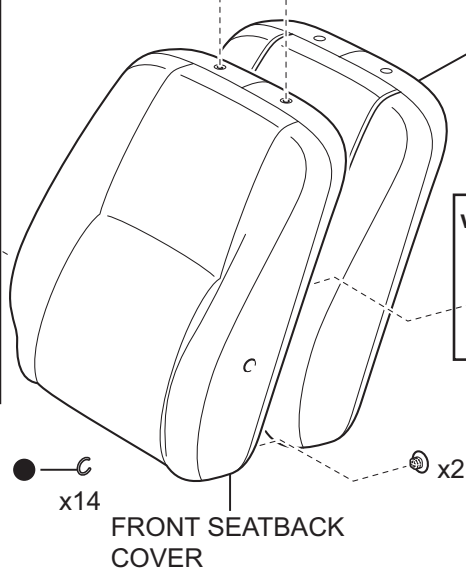
**38 (385, 28)**  
FRONT SEAT  
ARMREST CAP   
FRONT SEAT ARMREST  
ASSEMBLY 



FRONT SEATBACK  
PAD


**w/ Front Seat Side Airbag:**

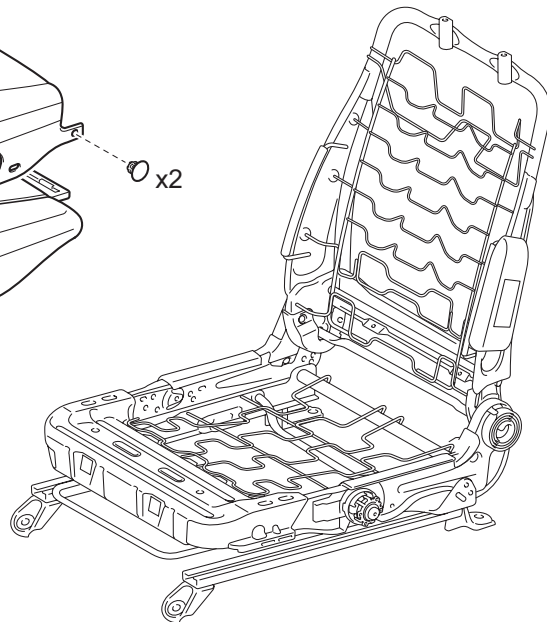
**5.5 (55, 49 in.\*lbf)**



FRONT SEAT  
CUSHION COVER

FRONT SEAT  
CUSHION PAD

 x12



**N\*m (kgf\*cm, ft\*lbf)** : Specified torque

● Non-reusable part

SE

